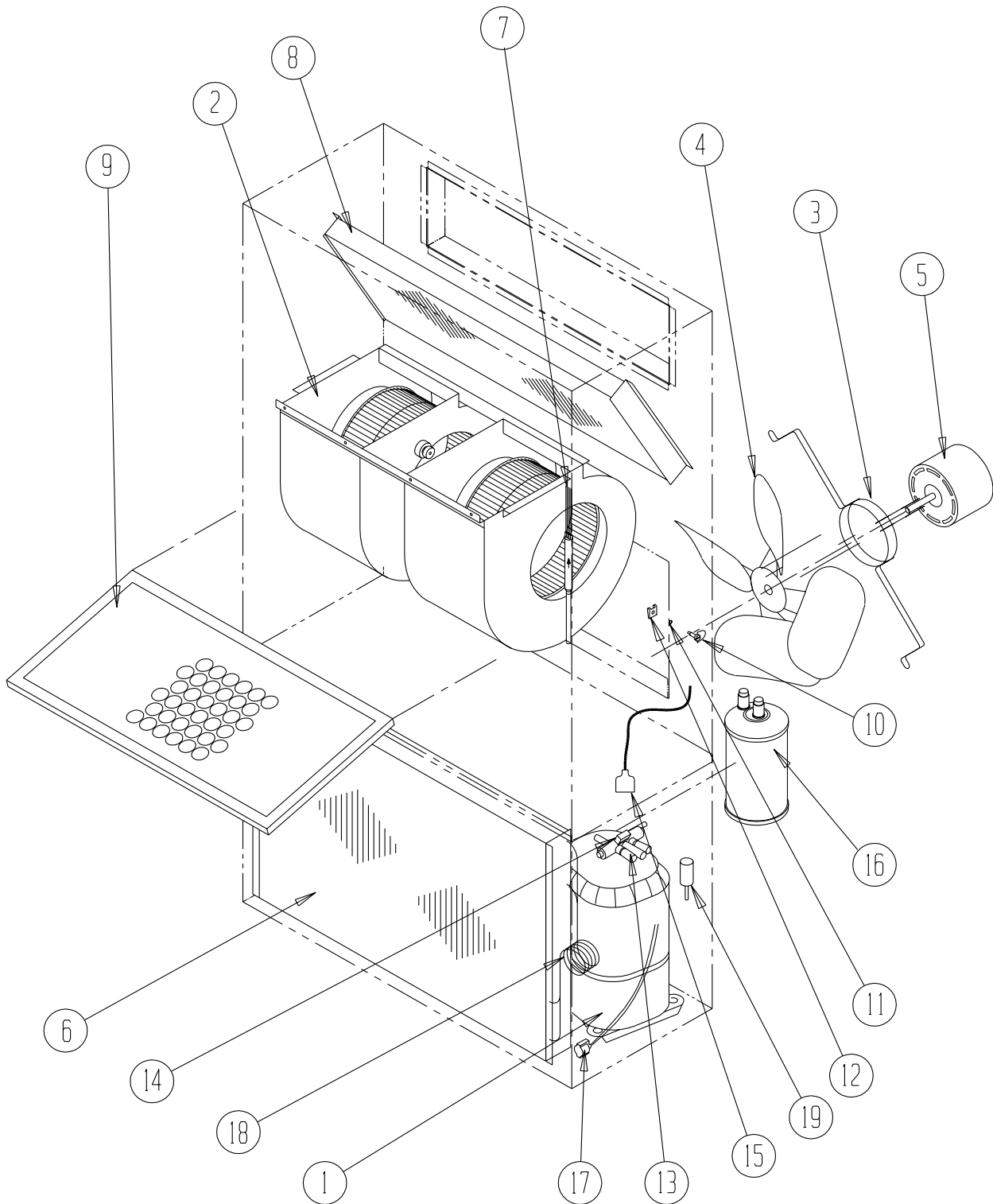


FUNCTIONAL COMPONENTS



SEXP-167 A